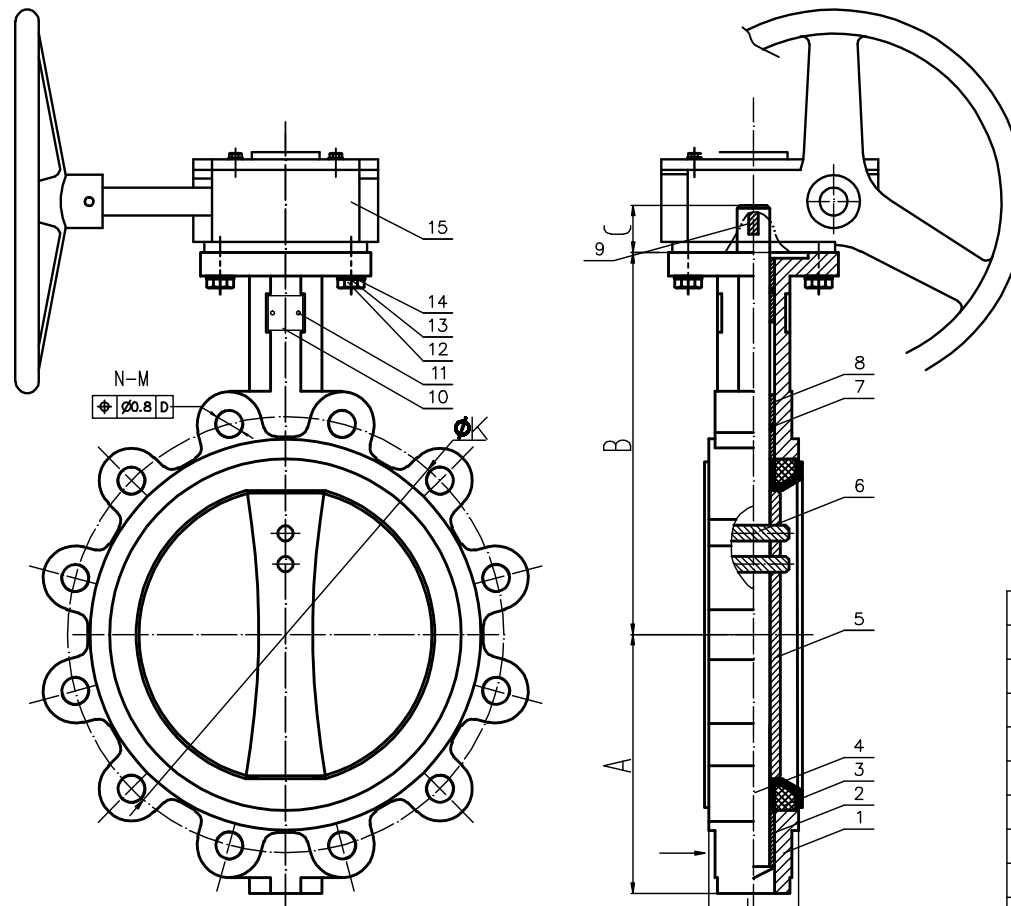
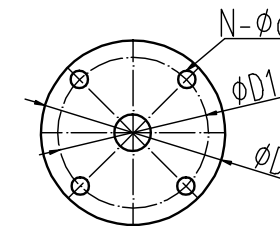


DN 40-DN 150



DN 200-DN 300



SIZE		A	B	C	L	ANSI 150B		DIN PN 10		DIN PN 16		JIS 10K		ISO 5211			Top Flange
mm	in					φK	N-M	φK	N-M	φK	N-M	φK	N-M	φD	φD1	N-φd	
40	1.5"	70	164	32	33	98.5	4-1/2"-13UNC-2B	110	4-M16	110	4-M16	105	4-M16	65	50	4-φ8	F05
50	2"	80	169	32	43	120.6	4-5/8"-11UNC-2B	125	4-M16	125	4-M16	120	4-M16	65	50	4-φ8	F05
65	2 1/2"	89	176	32	46	139.7	4-5/8"-11UNC-2B	145	4-M16	145	4-M16	140	4-M16	65	50	4-φ8	F05
80	3"	95	183	32	46	152.4	4-5/8"-11UNC-2B	160	8-M16	160	8-M16	150	8-M16	65	50	4-φ8	F05
100	4"	114	201	32	52	190.5	8-5/8"-11UNC-2B	180	8-M16	180	8-M16	175	8-M16	90	70	4-φ10	F07
125	5"	127	214	32	56	215.9	8-3/4"-10UNC-2B	210	8-M16	210	8-M16	210	8-M20	90	70	4-φ10	F07
150	6"	139	229	32	56	241.3	8-3/4"-10UNC-2B	240	8-M20	240	8-M20	240	8-M20	90	70	4-φ10	F07
200	8"	175	257	45	60	298.4	8-3/4"-10UNC-2B	295	8-M20	295	12-M20	290	12-M20	125	102	4-φ12	F10
250	10"	203	280	45	68	361.9	12-7/8"-9UNC-2B	350	12-M20	355	12-M24	355	12-M22	125	102	4-φ12	F10
300	12"	242	327	45	78	431.8	12-7/8"-9UNC-2B	400	12-M20	410	12-M24	400	16-M22	125	102	4-φ12	F10

15	Worm gear	cast iron	1	
14	Gasket	SS201	4	
13	Gasket	SS201	4	
12	bolts	SS201	4	
11	Studs	Al	2	
10	Metal label	SS416	1	
9	Key	45#	1	
8	bushing	PTFE	4	
7	O-ring	NBR	2	
6	pin	SS416	2	
5	disc	DI	1	
4	stem	SS416	1	
3	seat	EPDM	1	
2	bushing	PTFE	1	
1	body	CI	1	
NO	NAME	MATERIAL	QTY	

TEST PRESSURE		SHELL	SEAL
	HYDROSTATIC	24bar	17.6bar
	AIR		
ATAND-ARD	DESIGN CODE	JIS B2064\DN3354\API609	
	INSPECTION&TEST	JIS B2003\DN3230\API 598	
	END STANDARD	JIS B2212\DN2543\ASME B16.5	
	FACE TO FACE	JIS B2002\DN3202\API 609	

LUG BUTTERFLY VALVE

APPROVED		DWG NO.		REV
CHECKED				
DRAWN		SCALE	UNINT	mm
DESIGNED				

Jinerjian(Tianjin)Valve Co.,Ltd.